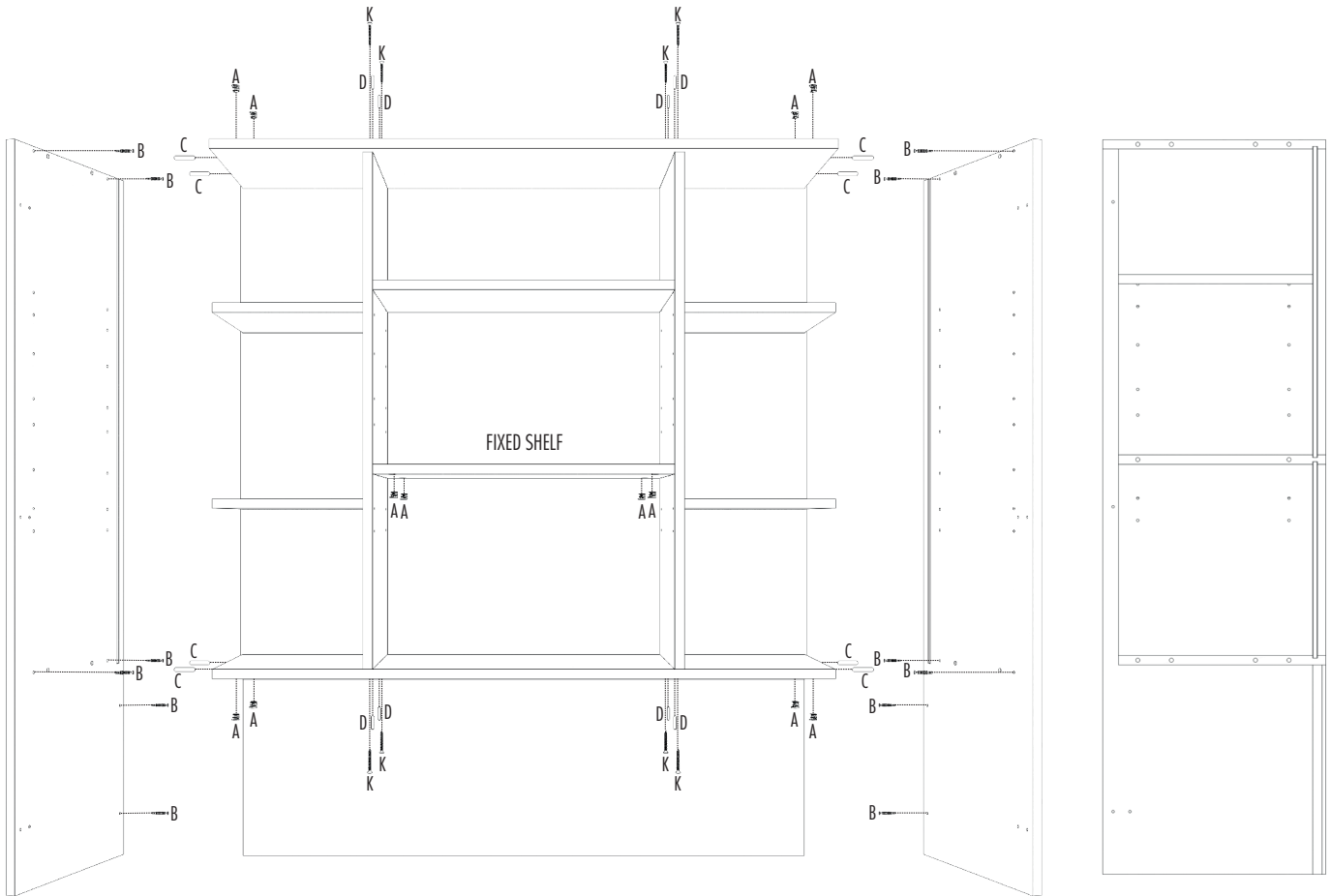


# THE BREAKFAST PANTRY



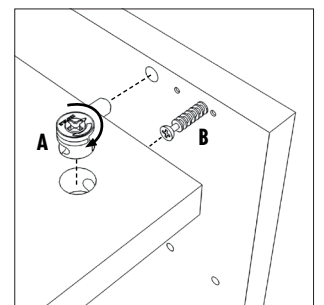
FIXED SHELF USED WITH APPLIANCE ONLY.

FOR COFFEE MACHINE PLEASE REDUCE THE CENTRE 8MM BACK TO THE FOLLOWING DIMENSIONS

HIGH WALL 525 x 572mm – MEDIUM WALL 343 x 572mm

<b>A</b>		MFXCAM18	MINIFIX CAM FOR 18mm	<b>16</b>
<b>B</b>		MFX15BOLT	MINIFIX METAL DOWEL	<b>16</b>
<b>C</b>		DOW8X40	WOODEN DOWEL 8mm x 40mm	<b>8</b>
<b>D</b>		DOW5X25	WOODEN DOWEL 5mm x 25mm	<b>8</b>
<b>E</b>		SCC6.1/2	SCREW No 6 * 1/2" COUNTERSUNK ZINC (3.5x13)	
<b>F</b>		SCC6.5/8	SCREW No 6 * 5/8" COUNTERSUNK ZINC (3.5x16)	
<b>G</b>		SCC6.3/4	SCREW No 6 * 3/4" COUNTERSUNK ZINC (3.5x20)	
<b>H</b>		SCC8.11/4	SCREW No 8 * 11/4" COUNTERSUNK ZINC (4.0x30)	
<b>I</b>		SCR6.5/8	SCREW No 6 * 5/8" ROUND HEAD ZINC	
<b>J</b>		SCF6.3/4	SCREW No 6 * 3/4" FLANGED ZINC (3.5x20)	
<b>K</b>		SCC8.45BL	8x45 BLACK HI LO POZI HEAD SCREW	<b>8</b>
<b>L</b>		ESCREW	SYSTEM EUROSREW	
<b>M</b>		RAFIBOLT	RAFIX BOLT 11 x 7mm	

<b>N</b>		RAFIFIX	RAFIFIX HOUSING NO RIDGE	
<b>O</b>		CONNMALE	MALE CONNECTING SCREW	
		CONNFEM	FEMALE CONNECTING SCREW	
<b>S1</b>		CLSSTUD	TRANSPARENT SHELF SUPPORT (Lifestyle)	
			OR	
<b>S2</b>		MESSTUD	METAL SHELF STUD (Imperial)	<b>24</b>
<b>T</b>		BRKT90	STEEL BRACKET	
<b>U</b>		WCCROWN	WALL BRACKET COVER	
<b>V</b>		WHBL	WALL HANGING BRACKET L	
		WHBR	WALL HANGING BRACKET R	
<b>W</b>		WHBPLT	WALL BRACKET PLATE	
<b>X</b>		BUNG#5	5mm DIAMETER HOLE BUNG	
<b>Y</b>		DOORBUF	DOOR BUFFERS (PR)	



MORE INFO

