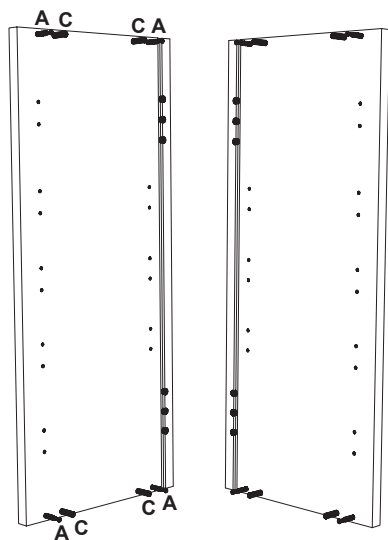
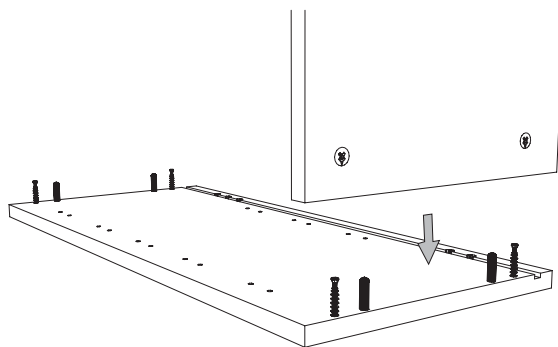


SINGLE AND DOUBLE WIDTH WALL UNITS

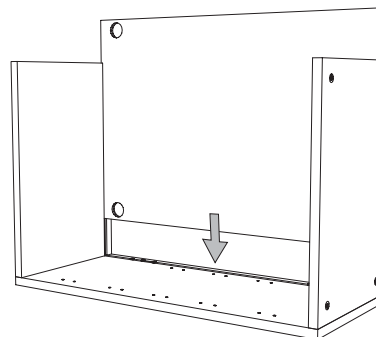
1. Insert fittings into End Panel as shown. Mirror for the other End Panel.



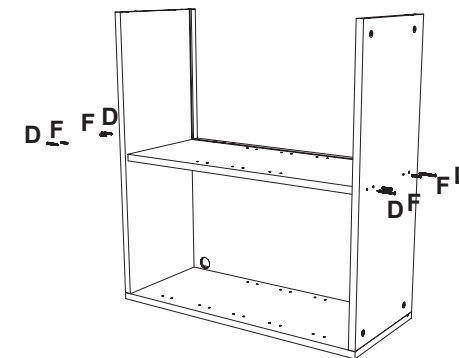
2. Insert the circular cams B into the holes in the bottom panel, ensuring that the arrows point towards the drilled edge. Push the panel firmly home onto the end panel. Using a screwdriver, turn the cam clockwise to lock. There is no difference between the top and bottom panels. Repeat for the top panel.



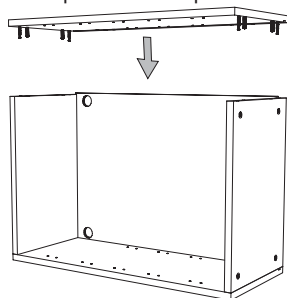
3. Slide the back panel into the grooves in the top and bottom panels, and push home into the end panel.



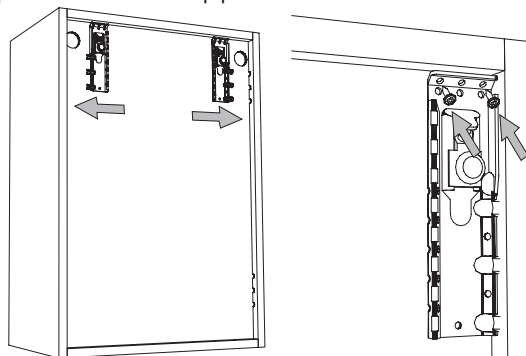
4. If you are assembling a double width wall unit, slide the division into place. Push two D wooden dowels into each end at the positions as shown, and then fix using F screws.



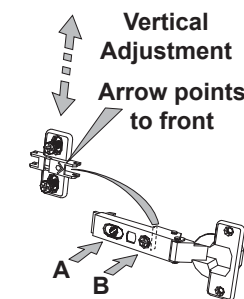
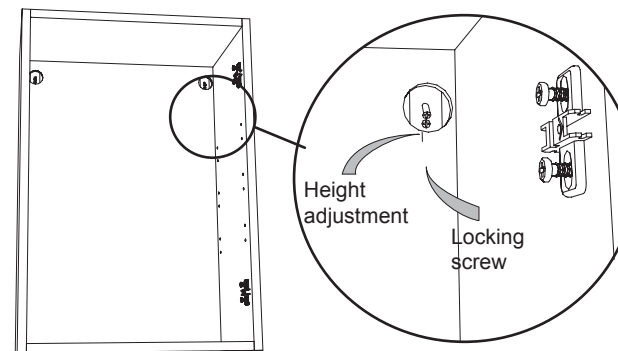
5. Place the remaining end panel over the other panels and push firmly home, ensuring that the back panel locates into the groove. Lock the cams in the top and bottom panel as before.



6. Knock the two hanging brackets (three on a double width wall unit) into the holes as shown. Fix with two K screws per bracket into the top panel - use the ANGLED holes.



7. Viewed from the inside of the cabinet, use the upper hanging bracket screw for height adjustment, and the lower screw for pulling the cabinet tight into the wall.

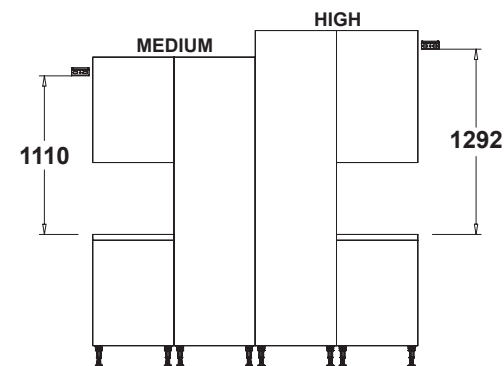


To align doors, loosen screw A first. Use screw B to level doors, then re-tighten screw A.

FITTINGS SUPPLIED

		Single Width 300 - 600	Double Width 800 - 1000			Single Width 300 - 600	Double Width 800 - 1000
A	Metal Dowel	8	8	K	Flange Head Screw 6 x 3/4"	4	6
B	Metal Cam	8	8	P	Shelf Stud	8	16
C	Wooden Dowel 8 x 40mm	8	8	T	5mm Coloured Bung	10	10
D	Wooden Dowel 5 x 25mm		4	U	35mm Bung	2	4
E	Connecting Screws (M/F)	2 pairs	2 pairs	W	Hanging plate	2	3
F	Black Chipboard Screw 8 x 45mm		4				

8. Fix the hanging plates L at the heights as shown. The dimensions given are from the top of the worktop (assuming 40mm thick worktop) to the underneath edge of the hanging plate.



9. Once the unit is fully fixed on the wall, fix the units together using male and female connecting screws E. Locate the shelves onto the shelf studs P.

