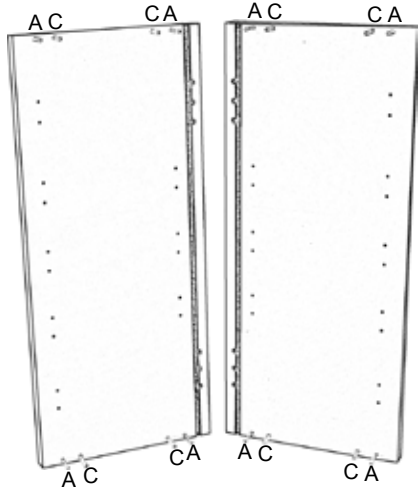
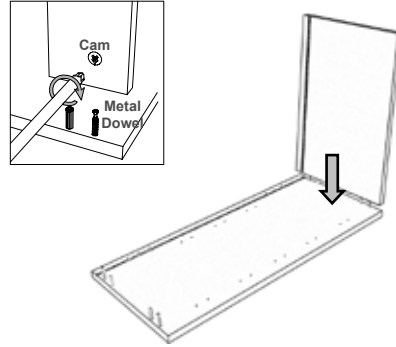


WALL OPEN SHELF

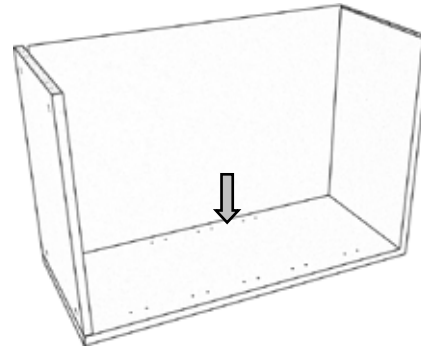
1. Insert fittings into End Panel as shown. Mirror for the other End Panel.



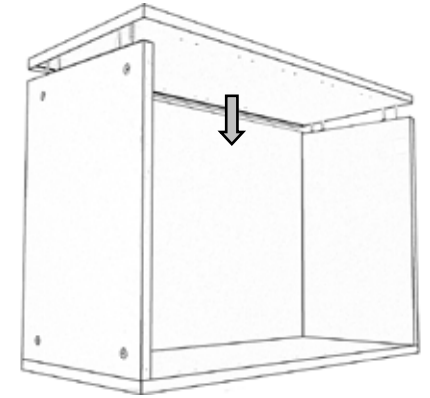
2. Insert the circular cams B into the holes in the bottom panel, ensuring that the arrows point towards the drilled edge. Push the panel firmly home onto the end panel. Using a screwdriver, turn the cam clockwise to lock. Repeat for the top panel.



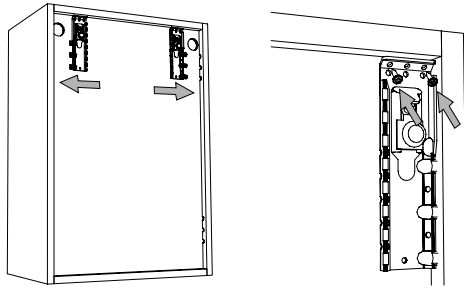
3. Slide the back panel into the grooves in the top and bottom panels, and push home into the end panel.



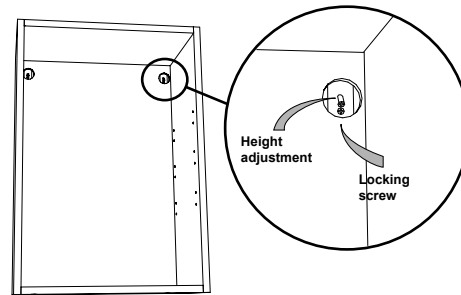
4. Place the remaining end panel over the other panels and push firmly home, ensuring that the back panel locates into the groove. Lock the cams in the top and bottom panel as before.



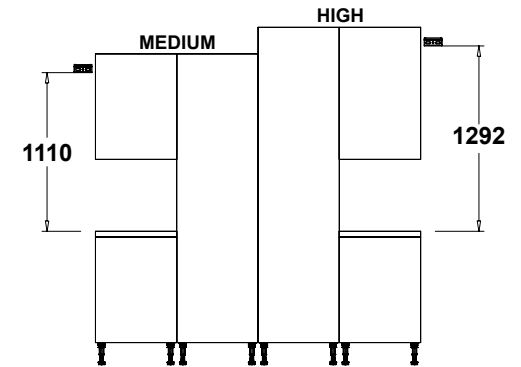
5. Knock the two hanging brackets into the holes as shown. Fix with two K screws per bracket into the top panel - use the ANGLED holes.



6. Viewed from the inside of the cabinet, use the upper hanging bracket screw for height adjustment, and the lower screw for pulling the cabinet tight into the wall.



7. Fix the hanging plates W at the heights as shown. The dimensions given are from the top of the worktop (assuming 40mm thick worktop) to the underneath edge of the hanging plate.



NOTE: If being used as a Stand Alone Unit, you will need to drill two 35mm holes through the back panel. Else if you are to suspend the unit between two wall cabinets, move onto Step 8.

FITTINGS SUPPLIED

A		Metal Dowel	8	P		Shelf Stud	8
B		Metal Cam	8	S		Door Buffer Pad	1 pair
C		Wooden Dowel 8 x 40mm	8	T		5mm Bungs	20
E		Connecting Screws (M/F)	2 pairs	U		35mm Bungs	2
K		Flange Head Screw 6 x 3/4"	4	W		Hanging Plate	2

8. Fix the open shelf unit to the adjacent wall units using male and female connecting screws F. Locate the shelves onto the shelf studs and fit downlight as required.

