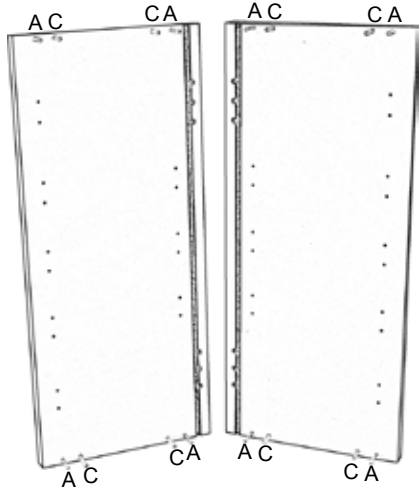
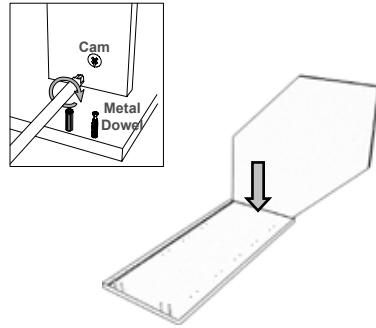


WALL 45° CORNER UNIT

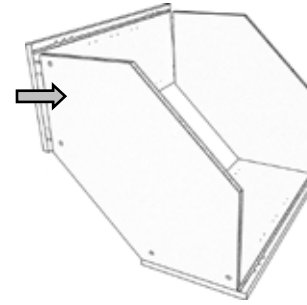
1. Insert fittings into End Panel as shown. Mirror for the other End Panel.



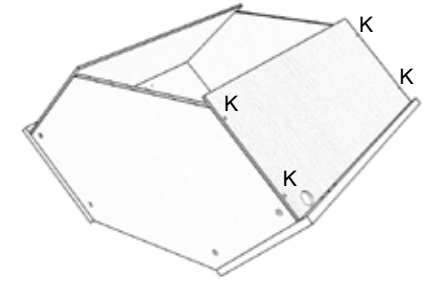
2. Insert the circular cams B into the holes in the bottom panel, ensuring that the arrows point towards the drilled edge. Push the panel firmly home onto the end panel. Using a screwdriver, turn the cam clockwise to lock. Repeat for the top panel.



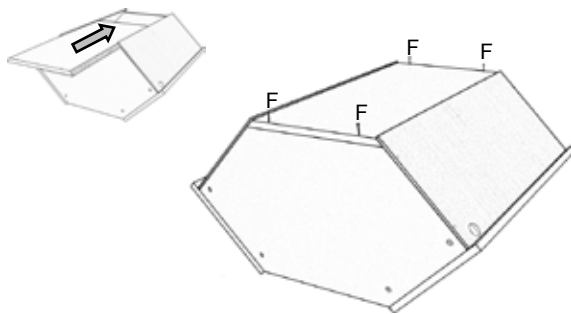
3. Place the remaining end panel over the other panels and push firmly home. Lock the cams in the top and bottom panel as before.



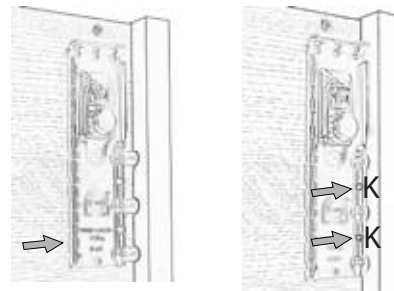
4. Slide the thin back panel into the groove and push firmly home. Lock on the end panel. Secure using four K screws. Repeat for the remaining thin back panel.



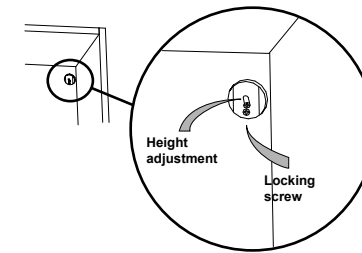
5. Slide the thick back panel between the two thin back panels. Secure using four F screws.



6. Knock the two hanging brackets into the holes as shown. Fix with two K screws per bracket into the top panel - use the ANGLED HOLES.

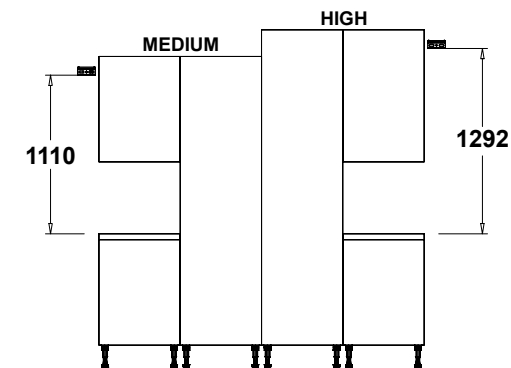


7. Viewed from the inside of the cabinet, use the upper hanging bracket screw for height adjustment, and the lower screw for pulling the cabinet tight into the wall.



FITTINGS SUPPLIED							
A		Metal Dowel	8	K		Flange Head Screw 6 x 3/4"	16
B		Metal Cam	8	P		Shelf Stud	10
C		Wooden Dowel 8 x 40mm	8	T		5mm Bung	10
E		Connecting Screws (M/F)	2 pairs	U		35mm Bung	2
F		Black Chipboard Screw 8 x 45mm	4	W		Hanging Plate	2
J		Countersunk Screw 6 x 1/2"	4	Y		Peg-o-Lock	1

8. Fix the hanging plates W at the heights as shown. The dimensions given are from the top of the worktop (assuming 40mm thick worktop) to the underneath edge of the hanging plate.



9. Insert the loose shelves where required.

