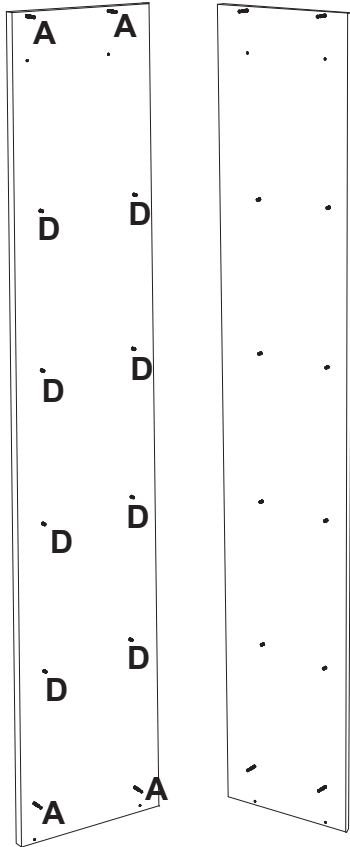
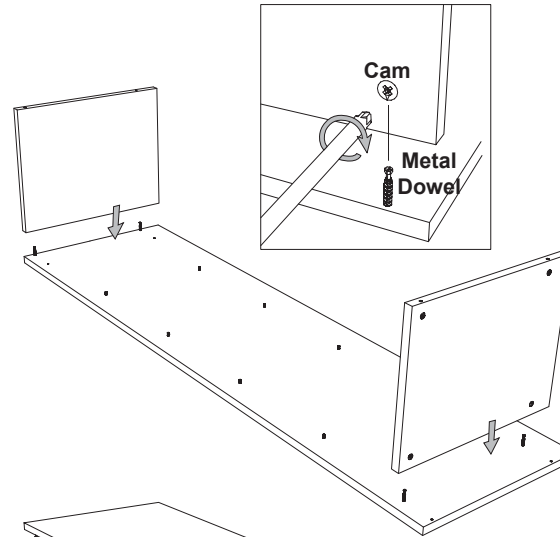


# HIGH APPLIANCE OPEN SHELF UNIT

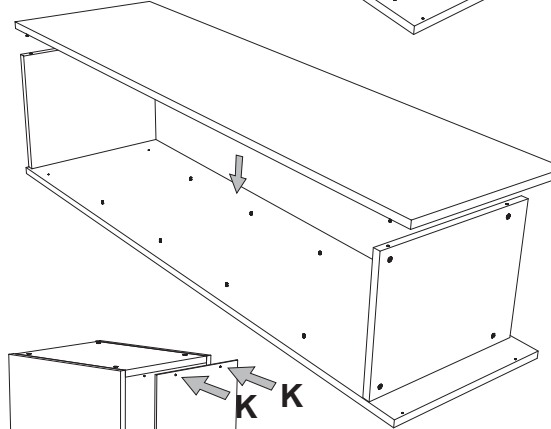
1. Insert fittings into End Panel as shown. Mirror for the other End Panel.



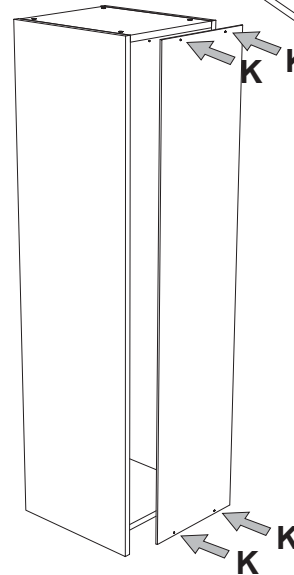
2. Insert the circular cams B into the holes in the top and bottom panels, ensuring that the arrows on the cams point outwards. Push the top and bottom firmly home onto the End Panel, keeping the face with the cams to the outsides (as shown). Using a screwdriver, turn the cam clockwise to lock.



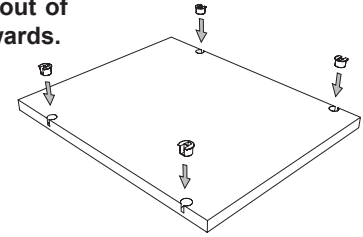
3. Place the opposite End Panel over the top, and lock all the remaining cams.



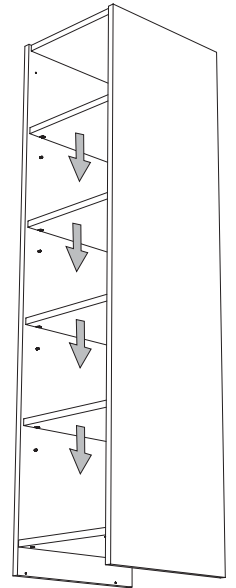
4. Using the flanged screws K, fix the back panel onto the top and bottom.









5. Knock the shelf fittings C into the shelves using a hammer, ensuring that the flat section and cut-out of the fitting point outwards.



6. Place the shelves into the cabinet, and drop onto the shelf dowels. Lock the shelves into place by inserting a screwdriver into the shelf fitting and turning clockwise.



FITTINGS SUPPLIED			
<b>A</b>		Metal Dowel	<b>8</b>
<b>B</b>		Metal Cam	<b>8</b>
<b>C</b>		Shelf Fitting	<b>16</b>
<b>D</b>		Shelf Dowel	<b>16</b>
<b>G</b>		Countersunk Screw 8 x 1 1/4"	<b>4</b>
<b>K</b>		Flanged Screw 6 x 3/4"	<b>4</b>