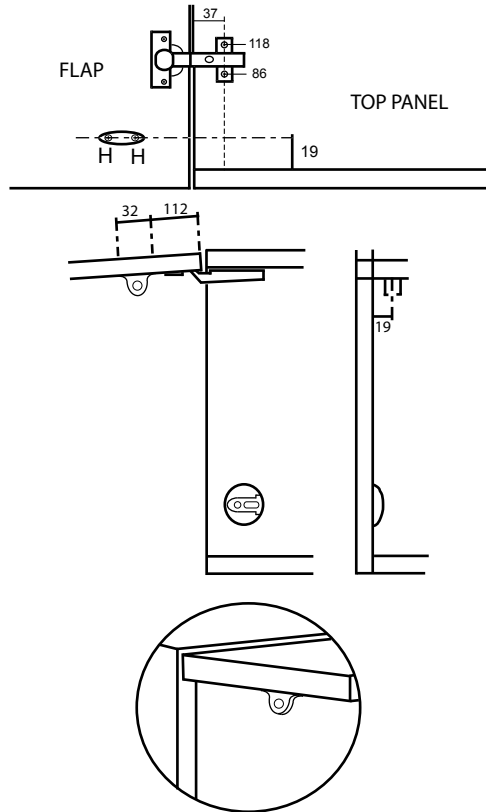


# FITTING THE FLAP STAY - 448 FLAP

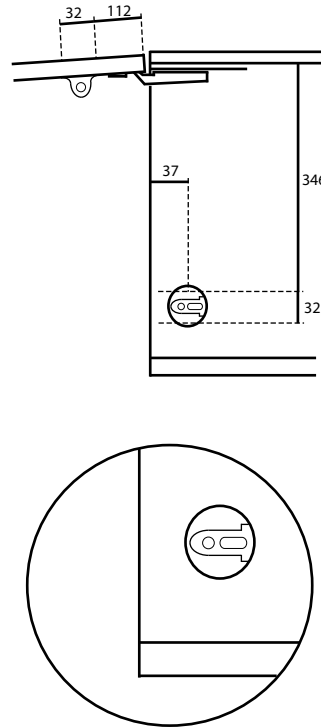
1. Secure the flap bracket to the flap in the pre-drilled holes shown at H. Two 5mm holes will need to be drilled to fit the hinge plate.

**PLEASE NOTE:** The flap bracket has to be placed in a VERTICAL position with the slot facing forwards.

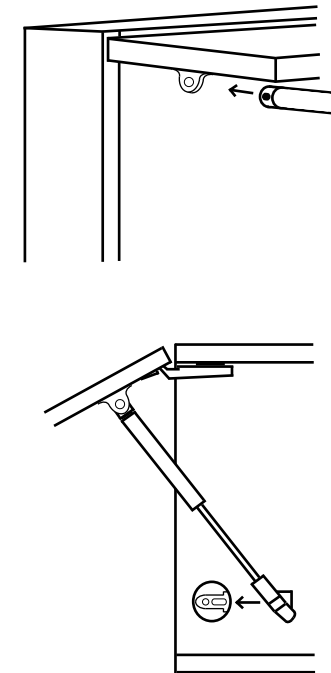


2. Drill two 5mm holes as shown. Secure the side bracket to the carcass.

**PLEASE NOTE:** The side bracket has to be placed in a HORIZONTAL position, and the open end facing the wall.



3. Slide the flap stay into the flap bracket, and into the side bracket as shown.



## FITTINGS SUPPLIED



1 x Mechanism



1 x Flap Bracket



1 x Side Bracket

The opening and closing of the door can be changed by adjusting the position of the piston base plate within the slot.

**Forwards Adjustment** - the door opens automatically later (automatic stay only) and closes automatically in advance (both stays automatic and friction)

**Backwards Adjustment** - the door opens automatically in advance (automatic stay only) and closes automatically later (both stays automatic and friction)

