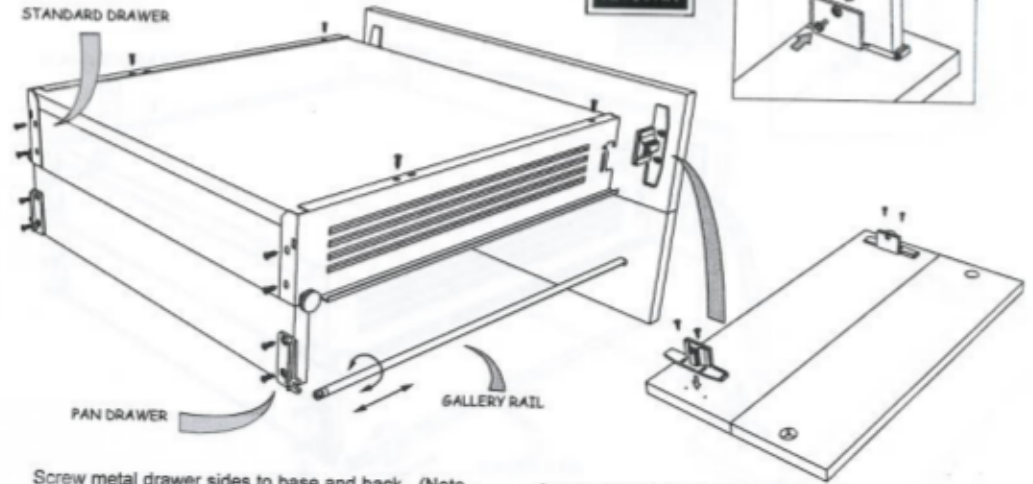


## STANDARD DRAWERS



Screw metal drawer sides to base and back. (Note - higher backs for pan drawers) Then screw metal front brackets to fronts. Pan drawers require back bracket, for gallery rail.

Locate front to drawer box with inside screw to fix.  
NOTE:- Drawer box can be adjusted vertically (see insert). Pan drawers can be adjusted "IN & OUT" by turning the gallery rail.

