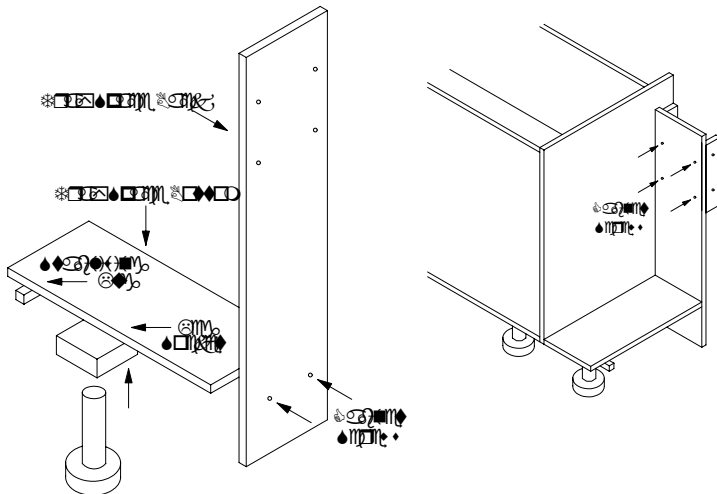


## CORNER PACK

Assemble base cabinet Unit "A". Fix the chipboard blanking panel to the cabinet, on the side to be concealed.

Screw the corner post to Unit "B", ensuring that the groove on the post is in line with the front edge of the cabinet, as shown in the lower diagram.

Position the two cabinets as shown, ensuring that the remaining front edge of the corner post is in line with the middle of the centre post. This is essential to allow for correct clearance for doors and drawers.



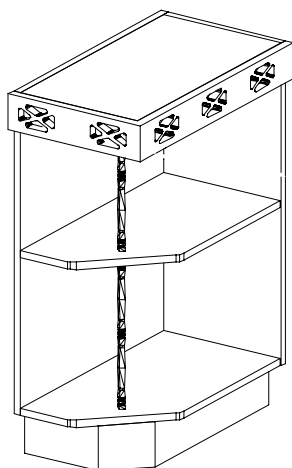
## TRAY SPACE

Screw the leg socket to the tray space bottom panel and push the leg into its socket. Fix the tray space back to the bottom using two of the six cabinet screws.

Screw the two short chipboard spacers to the two adjoining cabinets, using four 1 1/4" x 8 countersunk screws supplied. Ensure that the back edge of the spacers is level with the back edge of the cabinets as shown.

Align the bottom and back panel to the adjacent cabinets, and adjust the leg to the correct height. The stabilising lug should fit under the adjacent cabinets. Using the four remaining cabinet screws, secure the tray space back to the chipboard spacers.

Fix the towel rail using the two 5/8" flanged screws.



## BASE AND WALL CONVERSION KITS

Using the rectangular replacement top shelf (supplied with the conversion kit) as a template, drill the shelves in the required position for the spindles.

Fit the spindles to the shelf, bottom panel and replacement top panel.

Screw through the end and back panel into the shelves.

Fix the fretwork pieces to the top panel using the angle brackets supplied.