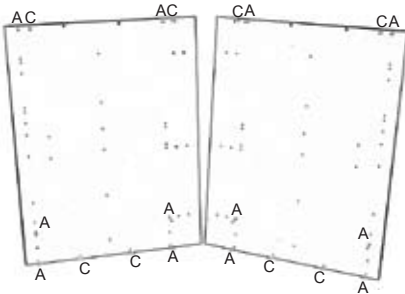
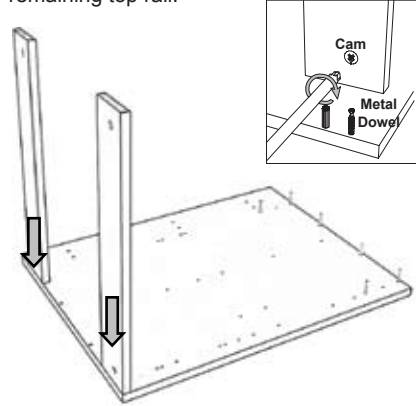


BASE UNDER OVEN UNIT

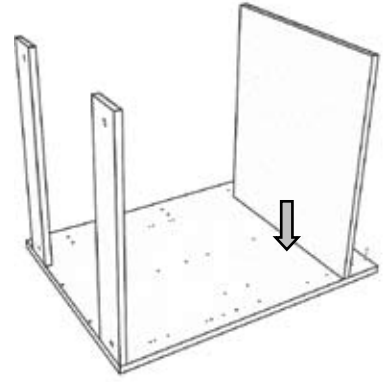
1. Insert fittings into the end panels as shown. Mirror for the other end panel.



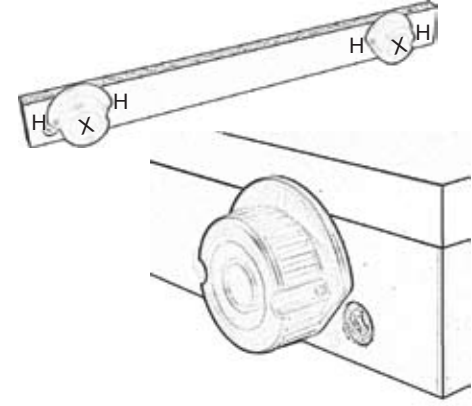
2. Insert the circular cams B into the holes in the top rail, ensuring that the arrows point towards the drilled edge. Push the panel firmly home onto the end panel. Using a screwdriver, turn the cam clockwise to lock. Repeat for the remaining top rail.



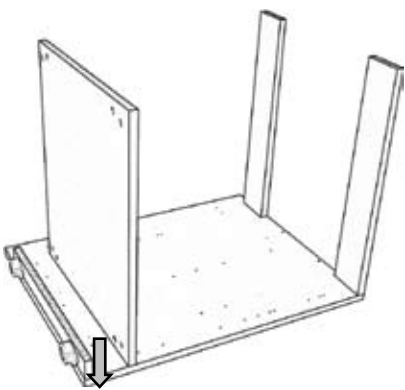
3. Repeat the previous step to fit and secure the bottom panel.



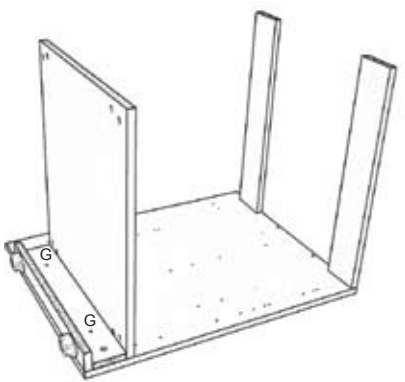
4. Push the feet blocks into the holes on the base rail, and hit the spigots 'X' with a hammer. Secure the feet blocks with two H screws, ensuring the feet block overhangs the edge of the support rail, as shown.



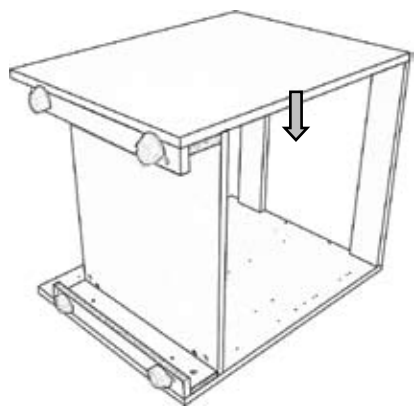
5. Insert circular cams B into the holes in the base rail, ensuring the arrows point towards the drilled edge. Push the panel firmly home onto the end panel and lock as before.



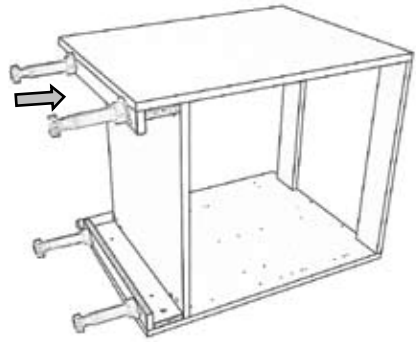
6. Insert the circular cam B into the hole in the support rail. Ensure the arrow points towards the pre drilled edge. Push the support rail firmly home onto the end panel, as shown. Ensure the cam is at the front edge and the rail is flush with the front of the end panel. Secure using two screws G, as shown.



7. Fit and secure the remaining end panel, base rail and support rail as before.



8. Push the feet into the feet blocks as shown.



FITTINGS SUPPLIED						
A		Metal Dowel	14	G		Countersunk Screw 8 x 1 1/4" 4
B		Metal Cam	14	H		Countersunk Screw 6 x 5/8" 8
C		Wooden Dowel 8 x 40mm	8	S		Door Buffer Pad 1 pair
E		Connecting Screws (M/F)	3 pairs	Z		Plinth Clip 2