

# SINGLE AND DOUBLE WIDTH BASE UNIT

**NOTE:** Base units are now supplied in 500mm depth as standard. 450mm depth base units are available, but modifications to parts may be required as instructed below.

1. Insert fittings into End Panel as shown.

Repeat for the opposite end panel.

The fittings for the back panel will differ for a 450/500mm depth unit. Those shown are for a 500mm depth unit

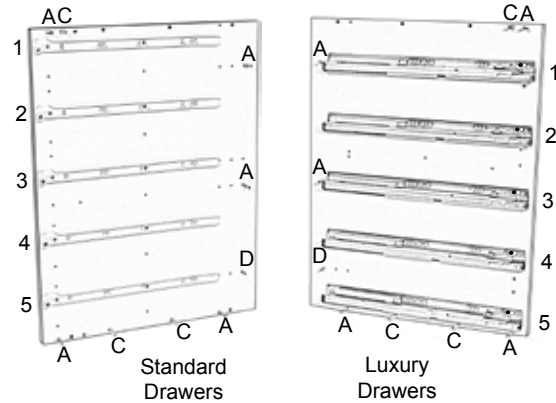
Position and fit the drawer runners as follows:

Position 1 for Drawer Line Units

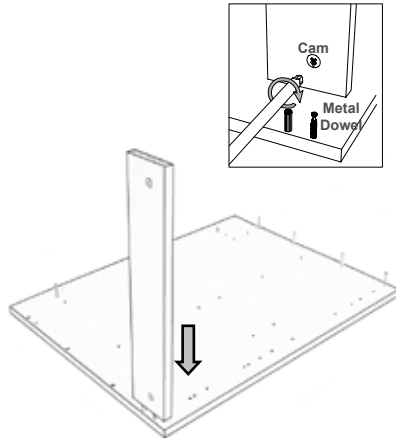
Positions 1, 3 and 5 for 3 Drawer Packs

Positions 1, 2, 3 and 5 for 4 Drawer Packs

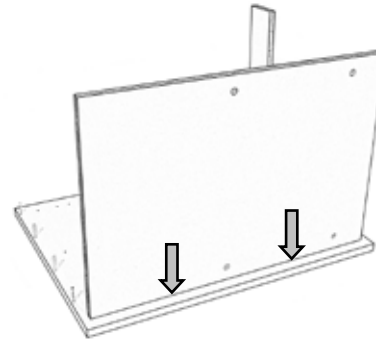
All positions for 5 Drawer Packs



2. Insert the circular cams B into the holes in the rail ensuring that the arrows point towards the drilled edge. Push the panel firmly home onto the End Panel. Using a screwdriver, turn the cam clockwise to lock.



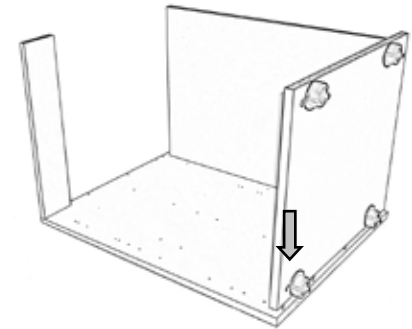
3. Repeat step 2 for the back panel. Lock the cams as before.



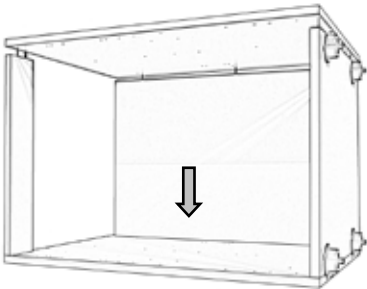
4. Place the bottom panel on a surface of adequate strength, push the feet blocks into the holes and hit the spigots 'X' with a hammer. Secure using H screws if required.



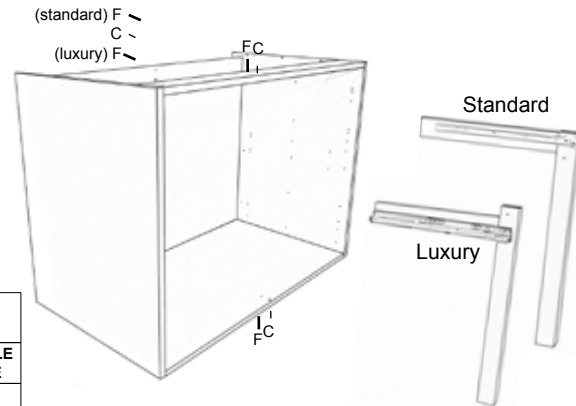
Repeat step 3 for the Bottom Panel. Lock the cams as before.



5. Place the opposite end panel onto the rail, back and bottom. Lock all the cams as before.

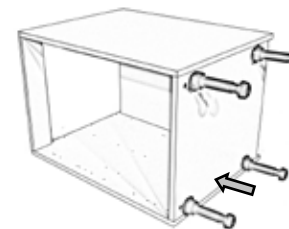


6. For double width base units, fit the drawer support to the centre post using two C dowels. For drawer line units, screw the drawer runners to the assembly - please note the difference between the positions for standard drawers and luxury drawers. Place this assembly into the cabinet, and fix using a C dowel and a F screw in the top rail, bottom panel and back panel.

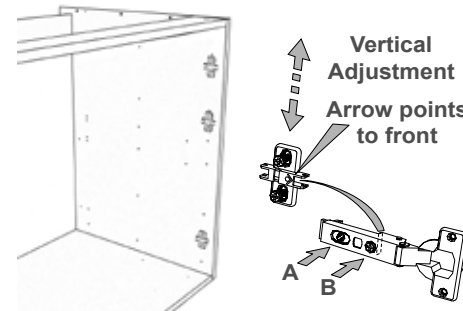


7. Knock the feet into the blocks, and adjust for height as necessary. Note - four feet on single width, five feet on double width.

Screw through the base panel into the back using two F screws in double width bases only.



8. Use top position for full height doors, lower position if using a drawer. Ensure that the arrow on the plate points to the front.



To align doors, loosen screw A first. Use screw B to level doors, then re-tighten screw A.

## FITTINGS SUPPLIED

		SINGLE BASE	DOUBLE BASE			SINGLE BASE	DOUBLE BASE
<b>A</b>	Metal Dowel	10	10	<b>F</b>	Black Chipboard Screw 8 x 45mm		5
<b>B</b>	Metal Cam	10	10	<b>H</b>	Countersunk Screw 6 x 5/8"	8	10
<b>C</b>	Wooden Dowel 8 x 40mm	6	11	<b>P</b>	Shelf Stud	4	5
<b>D</b>	Wooden Dowel 5 x 25mm	2		<b>S</b>	Door Buffer Pad	4	8
<b>E</b>	Connecting Screws (M/F)	3pairs	3pairs	<b>X</b>	Plinth Clip	2	3

**PLEASE NOTE:** If assembling a 1000/900/800mm hob drawer base with 2 top drawers the centre post must be reduced in length to 130mm prior to assembly and then installed as above. It is important once the worktop has been installed above this cabinet, fixings should be made up through the top rail into the worktop either side of the centre post to take the weight of heavy items placed in the upper drawers.

**PLEASE NOTE:** If assembling a 450mm depth double width base unit the drawer support needs to be reduced in length by 32mm. You may need to re-drill the dowel and screw holes. The depth of the shelf will also need to be reduced by 32mm.

