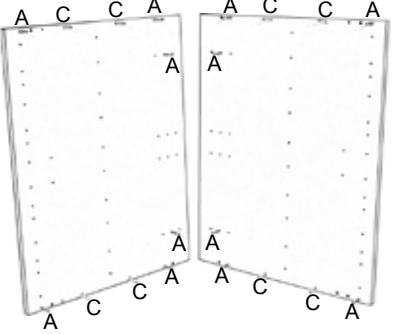
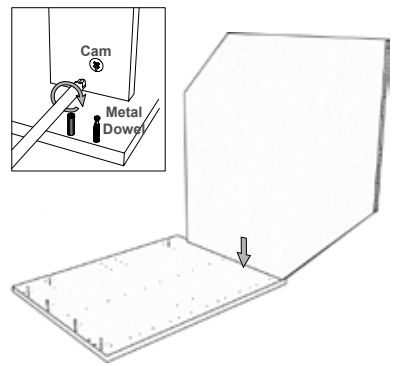


BASE DIAGONAL CORNER UNIT

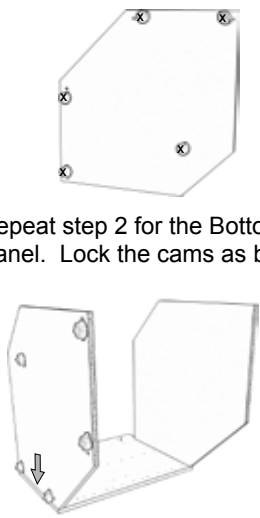
1. Insert fittings into the End Panel as shown. Repeat for the opposite panel.



2. Insert the circular cams B into the holes in the top panel as shown, ensuring the arrows point towards the drilled edge. Push the panel firmly home onto the End Panel. Using a screwdriver, turn the cam clockwise to lock.

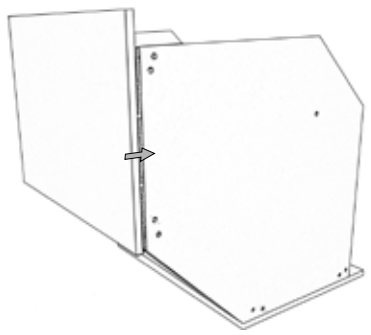


3. Place the bottom panel on a surface of adequate strength, push the feet blocks into the holes and hit the spigots 'X' with a hammer.

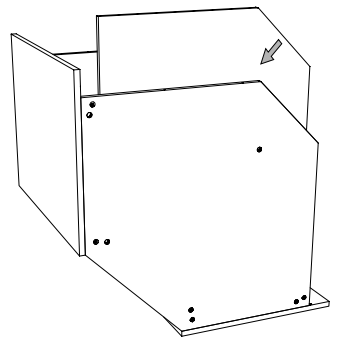


Repeat step 2 for the Bottom Panel. Lock the cams as before.

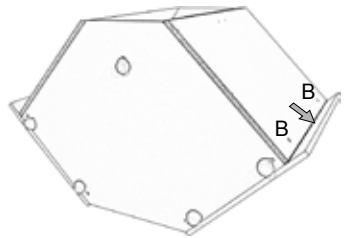
4. Fit the remaining End Panel to the top and bottom panels. Lock the cams as before.



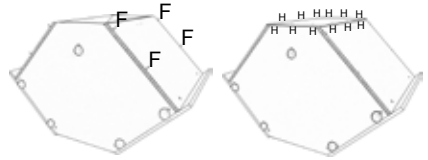
5. Slide in the loose shelf now if required, as it will not be possible to fit it later.



6. Insert circular cams B into the two thick Back Panels. Slide them onto the metal dowels as shown. Lock all the cams as before.



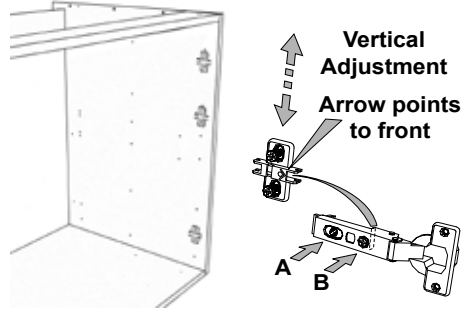
7. Screw the thick Back Panels in place using F screws as shown. Once this has been done, fix the thin Back Panel in position using H screws as shown.



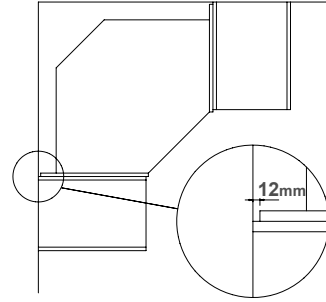
8. Knock the feet into the blocks and adjust the height as necessary.



9. Use top position for full height doors, lower position if using a drawer. Ensure the arrow on the plate points to the front.



10. When fitting the unit in position, use the spacers provided to achieve a 12mm offset as shown.



FITTINGS SUPPLIED											
A		Metal Dowel	12	H		Countersunk Screw 6 x 5/8"	10	S		Door Buffer Pad	1 pair
B		Metal Cam	12	J		Countersunk Screw 6 x 1/2"	4	T		5mm Coloured Bungs	14
C		Wooden Dowel 8 x 40mm	8	L		Flange Head Screw 6 x 3/4"	12	Z		Plinth Clip	2
E		Connecting Screws (M/F)	3 pairs	P		Shelf Stud	6				
F		Black Chipboard Screw 8 x 45mm	12	R		90° Angle Bracket	1				

To align doors, loosen screw A first. Use screw B to level doors, then re-tighten screw A.

NOTE: Use the hinges supplied with the cabinet, NOT the ones supplied with the door.