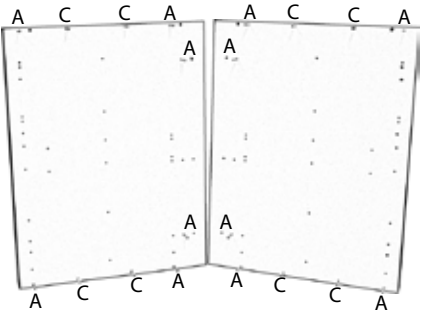
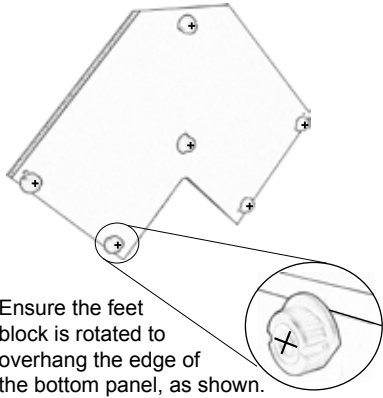


900 'L' CORNER BASE UNIT

1. Insert fittings into the End Panel as shown. Repeat for the opposite panel.

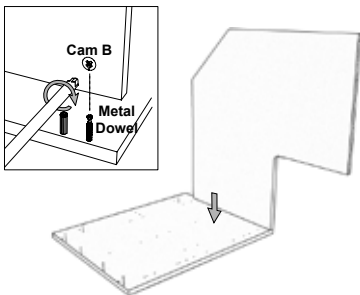


2. Push the feet blocks into the holes, and hit the spigots 'X' with a hammer.



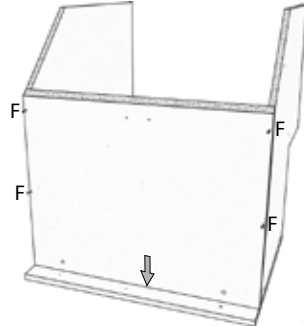
Ensure the foot block is rotated to overhang the edge of the bottom panel, as shown.

3. Insert circular cams B into holes in the bottom panel as shown, ensuring the arrows point towards the drilled edge. Push the panel firmly home onto the end panel. Using a screwdriver, turn the cam clockwise to lock.

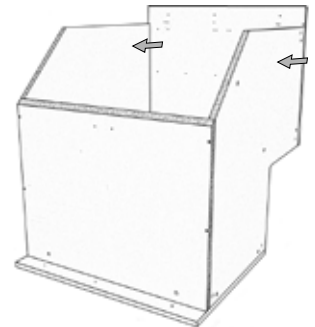


Repeat to fit the top panel.

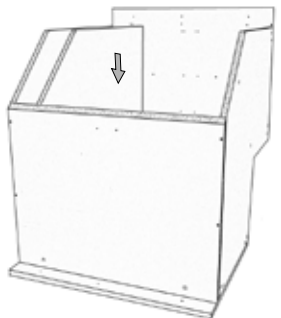
4. Insert circular cams B into the holes on the back panel. Slide the thick back panel into place lock the cams, as before. secure using four F screws.



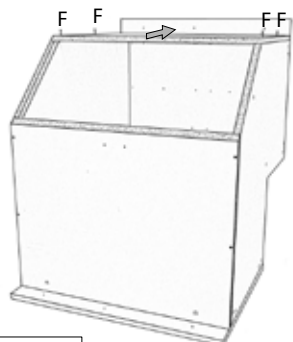
5. Push the remaining end panel onto the top and bottom panels. Lock the cams as before.



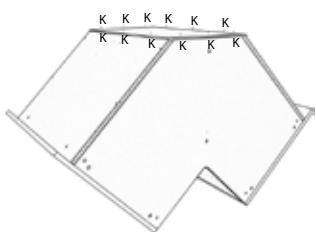
6. Insert any loose shelves if required, else they will **not** fit later.



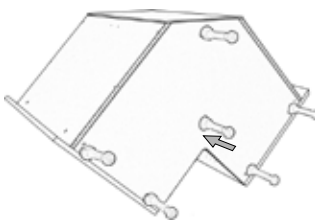
7. Insert circular cams B into the holes on the back panel. Slide the thick back panel into place lock the cams, as before. secure using four F screws.



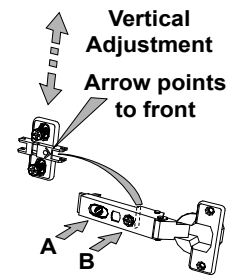
8. Secure the thin back panel in place using 12 K screws.



9. Insert the feet into the feet blocks.



10. Use top position for full height doors, lower position if using drawer line. Ensure that the arrow on the plate points to the front.



To align doors, loosen screw A first. Use screw B to level doors, then re-tighten screw A.

FITTINGS SUPPLIED			
A		Metal Dowel	12
B		Metal Cam	12
C		Wooden Dowel 8 x 40mm	8
E		Connecting Screws (M/F)	3 pairs
F		Black Chipboard Screw 8 x 45mm	8
H		Countersunk Screw 6 x 5/8"	12
J		Countersunk Screw 6 x 1/2"	10
K		Flange Head Screw 6 x 3/4"	12
P		Shelf Stud	4
R		90° Angle Bracket	2
S		Door Buffer Pad	2 pairs
T		5mm Bung	14
Y		Peg-o-Lock	1
Z		Plinth Clip	2

