



# **KITCHEN FURNITURE**

Basic Training for  
Main Product Features



# **Introduction**

This document will highlight many of the Crown product features and specifications. Please also refer to specific manuals for more technical information.

Handle-less

In-Frame

Bedroom

Product Listings (Unit codes for CAD and quote purposes)

## **Carcase Dimensions**

### Crown Imperial

Base 720mm x 555mm (870mm including plinth)

Internal 507mm / 475mm

Broom Larder 2153mm / 1970mm x 555mm (2303mm / 2120mm including plinth)

Internal 507mm

### Oven Housing

2153mm / 1970mm x 555mm (2303mm / 2120mm including plinth)

Internal 475mm

### Lifestyle

Base 720mm x 555mm (870mm including plinth)

Internal 475mm

Broom Larder 2153mm / 1970mm x 555mm (2303mm / 2120mm including plinth)

Internal 475mm

### Oven Housing

2153mm / 1970mm x 555mm (2303mm / 2120mm including plinth)

Internal 475mm

## Drawer Boxes

### Crown Imperial

Standard	
500mm Tandem	450mm option (always 450mm with OH6_)
Upgrade	
500mm Intivo White	450mm option only 600mm wide
500mm Intivo Black	450mm option only 600mm wide
500mm Intivo Stainless Steel	450mm option only 600mm wide
500mm Oak Dovetail	450mm option only 600mm wide

### Lifestyle

Standard 450mm Metabox Softclose

Upgrade 450mm Tandem

Please note 450mm Pan/Deep drawer has a lower back and no sides or inserts are available.

## Internal Drawers

Internal drawers are particularly useful to house cutlery trays when planning 2 Drawer linear kitchens. All that is required is an internal front and relative drawer box. When using internal drawers in Handle-less, switch one deep drawer box (C\_DEEPBOX\* / TPDWR\*) to standard drawer box (C\_DBOX\* / TDWR\*). Care should be taken when using internal drawers behind side opening doors. Zero protrusion hinges should be used but also note the drawer will still not clear the hinge position.

**Please always refer to the Retail Price List for product availability.**

## Base Units

Full Height - Drawer Line - All Widths

## Wall Units

3 Heights – Low, Medium and High Wall - All Widths

## Drawer Packs

All Widths: 300 - 400 - 450 - 500 - 600 - 800 - 900 – 1000

Four combinations: 2 Drawer - 3 Drawer - 4 Drawer - 5 Drawer

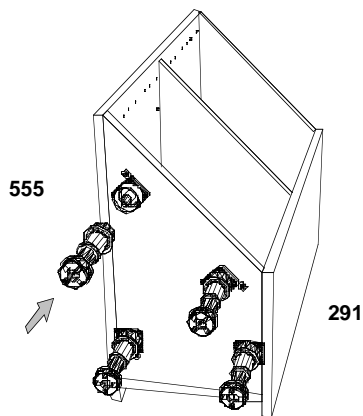
## Base 'L' Corner

900x900mm - 2 @ 716x320mm  
Supplied with 1 pair of 170 degree hinges  
Doors joined with bi-fold hinges

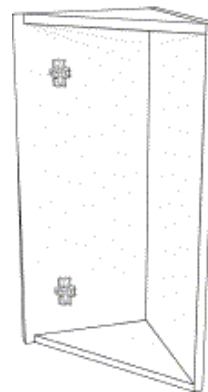
## Chisel End Units

Base unit: 555mm x 300mm x 291mm  
Wall unit: 310mm x 310mm  
Both units are 45°  
Base unit supplied with MWC45 diagonal corner door (384mm)  
Wall unit supplied with FH4 door

Base Chisel End

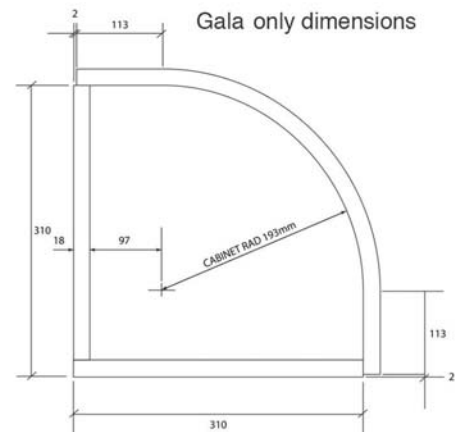
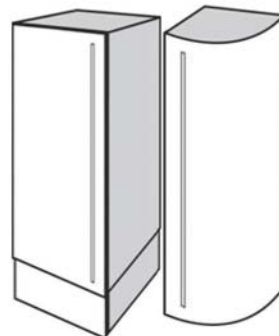
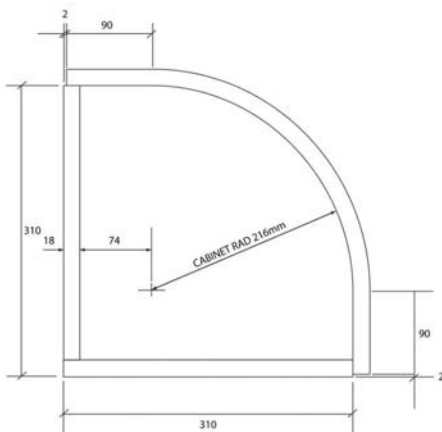


Wall Chisel End



## Curved End Units

Base unit: 310 x 245mm + 310 x 310mm  
Wall unit: 310 x 310mm (shown on the right)



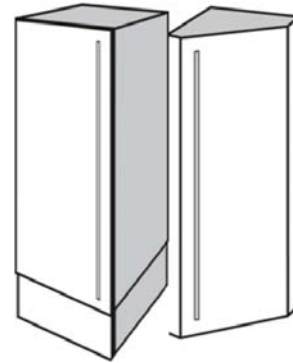
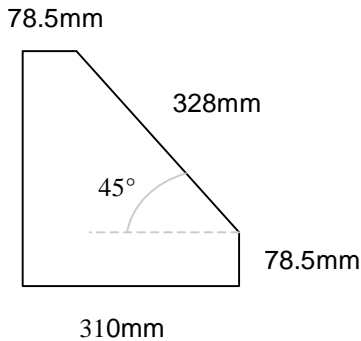
## **Bevel End Units**

Base unit: 310 x 245mm + 310 x 310mm

Wall unit: 310 x 310mm (shown below)

Cabinet Size

3 Sided Quadrant Style Unit



## **Wine Racks**

1. 720mm x 600mm wide - T&G combined open shelf unit and wine rack.  
Available in PVC Oyster and painted.
2. 720mm x 300mm wide - 10 bottle wine rack (310mm deep)  
Available in either MFC or painted veneered.
3. 720mm x 150mm wide - 5 bottle wine rack (310mm deep)  
Available in either MFC or painted veneered.

Also available in painted ranges only is a 1000mm Bottle Neck Rack. This is for use in conjunction with the Painted Base unit (BVB6 / BVB6IF) or the Painted Glass cabinet only (C\_VMW5G).

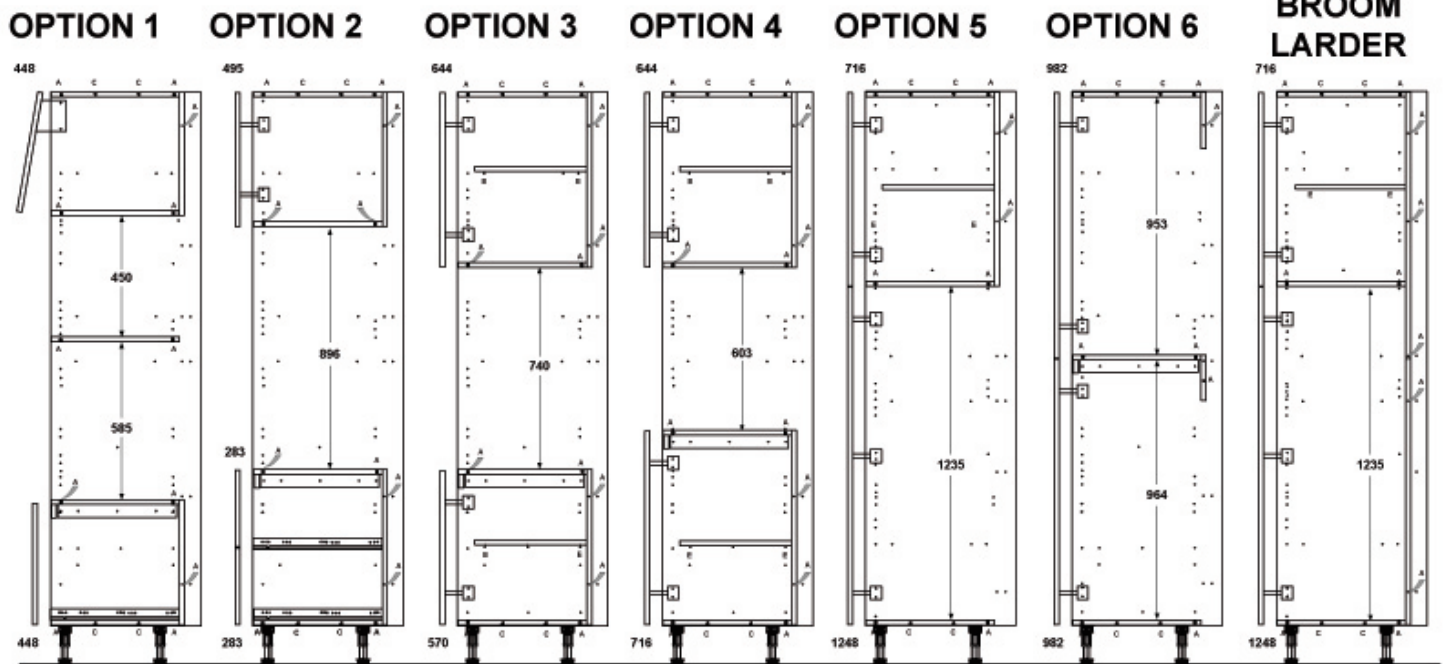
## **Mid Height Cabinet**

1. Larder This version has a full height door and 4 shelves. It can also house integrated fridges up to 1220mm high.
2. Drawer Pack This unit can house any combination of drawers from 4 pan drawers to 8 standard drawers (1 pan drawer = 2 standard drawers)
3. Oven Housing This unit can house a single oven with a standard 644mm door below. Double ovens can be housed using a pan drawer and 105 infil (cut down).

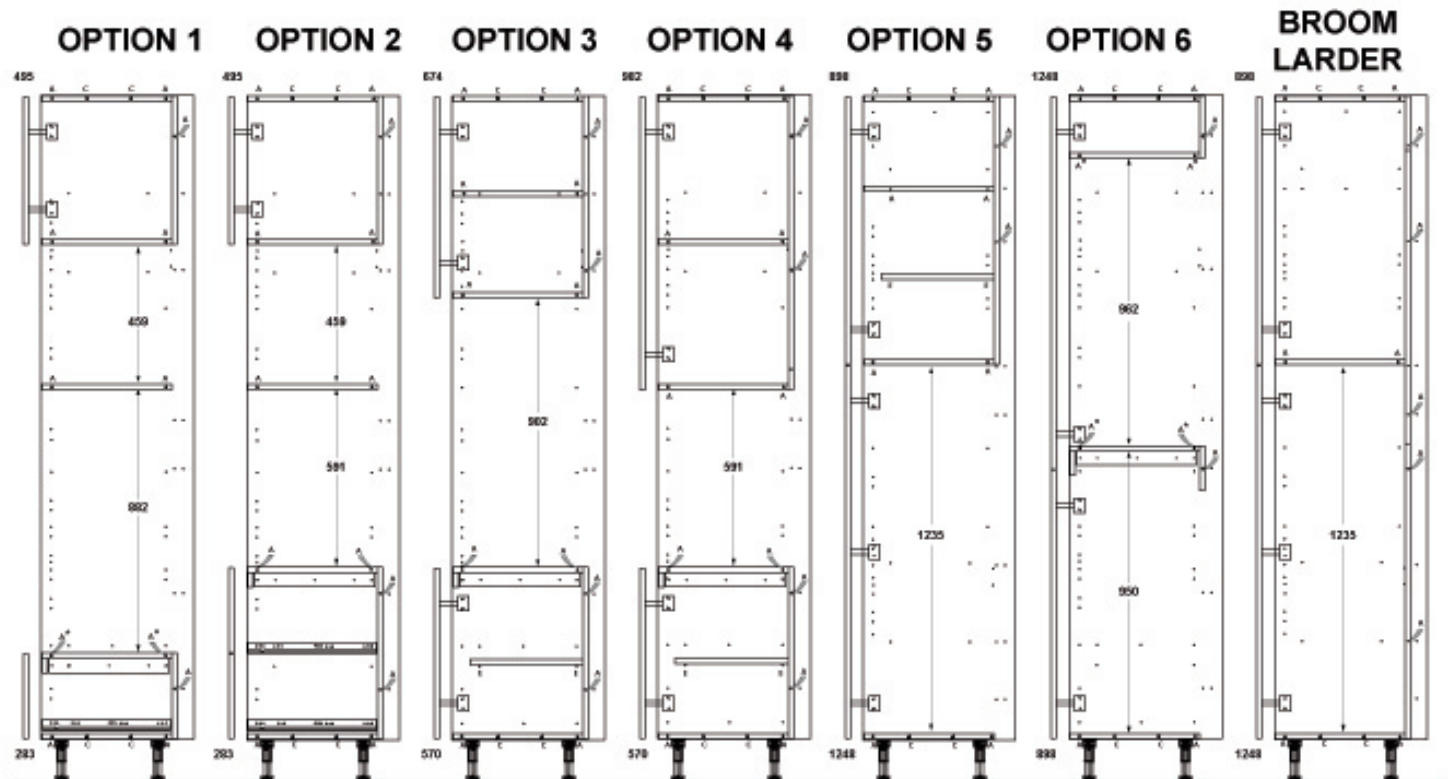
The top of these units falls below eye level and can therefore open up a kitchen visually without losing too much cupboard space. Remember the top of a mid height unit is an ideal place for a microwave or television!

# Oven Housing Configurations

## 2120mm TALL APPLIANCE HOUSING AND BROOM LARDER UNITS



## 2303mm TALL APPLIANCE HOUSING AND BROOM LARDER UNITS



## **Wall 'L' Corner**

600x600mm – 2 @ 716x266mm  
Supplied with 1 pair of 170 degree hinges  
Doors joined with bi-fold hinges

## **Glazed Units**

Glazed and Dresser units are 500mm wide and available in every range. Both units are supplied with glass shelves and down lighters as standard. The dresser unit has a drawer in the base which creates 140mm clearance beneath the dresser door. Midsomer, Ashton and Cotswood are available with matching painted cabinets. Glazed door styles are illustrated in the Retail Price Guide.

## **Canopies**

Furniture canopies are available to suit ranges which offer T&G accessories (timber, foil and painted ranges). They are supplied fully assembled with a complete cabinet and hanging brackets ready to hang on the wall. Canopies are supplied 1000mm wide and may be reduced down to a minimum of 760mm. (We do not recommend reducing PVC canopies.) It is very important to site canopies correctly, paying particular attention to height. This is to avoid possible damage from over-heating by Hobs. **Please note that we do not recommend the installation of canopies above 'range' style cookers.**

## **Tambour Units**

500mm wide unit with an aluminium roller lift up mechanism which sits on worktop. Available in Medium Wall and High Wall.

## **Bi-fold Units**

Soft close bi-fold units are now available in Rialto, Furore, Zeluso, Calypso, Bonito and Glass with aluminium frame. The Glass units compliment most ranges and both the glass and solid bi-folds are frequently used with two-drawer units to create a totally linear kitchen. The support arm mechanism tension can be adjusted via a marked calibration to allow the door to rise or fall at will.

## **Veneered and Painted Accessories**

There are a range of veneered and painted items available which should be considered when designing certain timber/painted finishes. It is important to maintain consistency so as a general rule, if a kitchen is being designed with veneered end panels, it would be wise to use the relevant veneered accessory where applicable.



## **T&G Effect Cabinets**

When planning a timber or painted kitchen featuring T&G end panels, always remember that T&G effect Open End Displays and Open Shelf / Wine Rack units will further enhance the visual appeal of the kitchen. There is also a fitter panel available (2330 x 630mm) in T&G effect for customising, shelving etc. Please note that these cabinets are available for Medium Wall kitchens only.

## **Plate and Wine Rack Inserts**

464mm wide x 334 mm high (Used in conjunction with 500mm open unit (C\_VMW5G / P\*\*VMW5)

Available in Painted and Clear Oak ranges

## **Spaceworks**

Crown include a substantial range of chrome wirework accessories in their range. These include amongst other items:

- Pull-out 1000mm Corner Base Mechanism (soft close)
- 150mm Wide Pull Out Cabinet (soft close)
- 2 Drawer Sink Unit Pack 1000mm wide
- Pull-out Wirework for both Base, Mid Height and Broom Larder Cabinets
- Carousels – both 180° and 270°

## **End Panels**

All ranges offer a dedicated End/Cladding panel. All end panels are finished on all edges except 20mm PVC T&G panels.

When undertaking a kitchen design, careful thought should be given as to which panel is the most appropriate to best match the door range being used. There are some ranges where end panels are paramount. There is a matrix at the end of this manual with the recommended panels for each range.

### **Melamine Matched Accessories (MEL ACCS)**

#### **Accessories - Cabinet Matched**

##### **18mm MFC Panels**

18mm Fitter Panels 2330x650mm are available in all the Matchline colours and white. They are finished on both faces and two long edges, one of them being 2mm PVC.

Base End Supports 900x650mm are available in the same colours and are edged along all edges, one long edge being 2mm PVC.

Also available is MFC Breakfast Bar Back Panel 900x1600mm, MFC Infill Panel 2250x200mm, MFC Shelf 1850x310mm and MFC Tray Space & Rail 200mm all in Matchline colours.

### **Fascia Matched Accessories (FSC ACCS)**

#### **Aluminium Plinths**

Aluminium effect and Extruded Aluminium effect plinths are a feature which will enhance most ranges. They are particularly effective with doors with aluminium edges such as Rialto or Handle-less ranges. Extruded plinths already have the seal strip on the bottom and require plinth clips (pack of 10) which need to be ordered separately. Universal connectors are also available for 45 / 90 180 degree joints.

#### **Mirrored Plinths**

Mirror effect coated MDF. Fixing system – conventional plinth clips.

## **Pilasters**

Pilasters have three standard uses.

1. In line with units in which case it is fitted flush with profile of door (17-20mm from front edge of cabinet according to the thickness of the door).
2. On the end of a run. For foil pilaster the relevant T&G effect end panel is required as a return i.e. Base T&G effect end panel with a Base pilaster.
3. As a breakfront, in which case for foil pilasters the relevant T&G effect panel is required.

T&G foil pilasters are 100mm wide by 55mm deep. T&G painted pilasters are 100mm wide and supplied with two T&G returns. Pilasters correspond in height to the relevant T&G end panels, i.e. Base 900mm, Medium Wall 780mm and Medium Wall Dresser 1210mm. Please note Pilasters are not available in High Wall.

## **Fillets**

Fillets are used as spacers between base units where T&G effect panels are fitted to the inside ends of dressers and housings. They may also be used between units to create a framed effect. The profile on a fillet is identical to that of a T&G panel or a pilaster. Fillets are 20mm wide and come in two heights 720mm and 2330mm.

## **20mm PVC T&G Panels**

T&G Panels improve the look of traditional kitchens, especially when used in conjunction with pilasters. They are single sided and the decorative fillet applied to the front edge is detachable.

## **20mm Painted Veneered T&G Panels**

Painted Veneered T&G panels are designed for use with painted doors and serve two purposes; they enhance the look of a kitchen and also offer a corresponding veneered show end. Where they are available, their use is highly recommended. They have a removable fillet attached to the front edge and are finished on one face. (Reverse is veneered and unfinished.)

## **20/25mm Gloss Rialto Panels**

Gloss panels are essential with High Gloss Kitchens. They are manufactured from the same material as the respective door and are edged in gloss on all four edges. 20mm panels are gloss on one face (reverse melamine), 25mm panels are gloss on two faces.

## **19mm Gloss Furore, Matt Zeluso and Ultramatt Rococo Panels**

These are double faced with the reverse face textured and edged on all four edges.

## **20mm Acrylic Glazed Calypso Panels**

Acrylic Glazed panels have a 2mm transparent acrylic layer bonded to smooth melamine faced MDF (as door). The front edge carries the same 2mm transparent layer as does the cornice. These are edged all 4 edges and 1 face, the reverse face is textured.

## **Special size panels**

Available in Rialto, Furore, Zeluso, Rococo and Calypso

Maximum sizes (dependent on range - please confirm availability with Crown)

Rialto - Height x Width 2750 x 1200mm

Furore & Zeluso - Height x Width 2600 x 1000mm

Also available:

Woodgrain – Height x Width 1200 x 2000mm

## **20mm Veneered and Painted Panels**

Veneered Panels are flat and designed for use with timber and painted doors. (Check price list/matrix for availability). The cut sizes are finished on all 4 edges, reverse face is veneered and part lacquered. The Mantel shelf is edged 1 long and 2 short edges. The Appliance End/Universal Panel is finished on one face and two long edges.

\*\*\*Special sizes available within FITPNL (2300 x 650) parameter\*\*\*

# CROWN KITCHEN RANGE

## RANGE    DOOR CONSTRUCTION / FINISH

## ACCESSORY OPTION

### IMPERIAL

#### PRICE GROUP 2

Heathfield    Oyster – foil membrane pressed

20mm T&G Foil Panels

Victoria    Oyster – foil membrane pressed

20mm T&G Foil Panels

#### PRICE GROUP 3

Pinova    Oyster, Stone White and Light Grey - painted MDF

19mm Painted Panels

#### PRICE GROUP 4

Furore    Colours – melamine paper on MDF with high gloss clear coating

18/19mm Super Gloss

Newhaven    Oyster – foil membrane pressed

20mm T&G Foil Panels

Oslo    Oyster – foil membrane pressed

20mm T&G Foil Panels

Pineto    White and Oyster – painted gloss on MDF

25mm Gloss Painted

Pinova    Colours – painted MDF

19mm Painted Panels

Rococo    Melamine paper on MDF with ultra matt coating

18/19mm Ultramatt

Zeluso    Colours – melamine paper on MDF with matt clear coating

18/19mm Super Matt

#### PRICE GROUP 5

Bonito    White and Oyster - painted gloss shaker

25mm Gloss Panels

Rialto    White and Oyster - high gloss acrylic faced doors

20mm High Gloss Panels

#### PRICE GROUP 6

Aspen    Painted Oak Veneer MDF

26mm Painted Panels

Midsomer    Painted Oyster - solid frame and veneered centre panel

20mm Ven Pnl/T&G

Rialto    Colours – high gloss acrylic faced doors

25mm High Gloss Panels

Alumina    Brushed Aluminium finish on MDF

20mm Aluminium Effect

#### PRICE GROUP 7

Ashton    Painted Ash – solid raised panel and solid frame

20mm Ven/T&G Panels

Midsomer    Painted Oak - solid frame and veneered centre panel

20mm Ven/T&G Pnl

Oakley    Kristal Oak – solid frame and veneered centre panel

20mm Veneered Panels

#### PRICE GROUP 8

Chartwell    Oak - solid frame and solid raised and fielded centre panel

20mm T&G Veneered

#### PRICE GROUP 9

Bianco    High Gloss deep moulded painted on MDF

25mm High Gloss Panels

Calypso    High Gloss glass effect doors

19mm Acrylic Glazed

Garrick    Kristal Oak – solid frame and solid raised centre panel

20mm Veneered Panels

#### PRICE GROUP IN-FRAME

Cotswood    Painted Oak In-frame – solid Oak frame and veneered centre panel

20mm Ven Pnl/T&G

Cotswood    Clear Oak In-frame – solid Oak frame and veneered centre panel

20mm Ven Pnl/T&G

#### PRICE GROUP 4 HANDLE-LESS

Furore HL    Melamine paper on MDF with high gloss clear coating

44mm Super Gloss

Rococo HL    Melamine paper on MDF with ultra matt coating

44mm Ultra Matt

Zeluso HL    Melamine paper on MDF with matt clear coating

44mm Super Matt

#### PRICE GROUP 5 HANDLE-LESS

Rialto HL    White and Oyster - high gloss acrylic faced doors

44mm High Gloss Panels

#### PRICE GROUP 6 HANDLE-LESS

Rialto HL    Colours – high gloss acrylic faced doors

44mm High Gloss Panels

Alumina    Brushed Aluminium finish on MDF

44mm Aluminium Effect

#### PRICE GROUP 9 HANDLE-LESS

Calypso HL    High Gloss glass effect doors

44mm Acrylic Glazed

**RANGE      DOOR CONSTRUCTION / FINISH****ACCESSORY  
OPTION****LIFESTYLE****PRICE GROUP 1**

Grenada	Dakar Melamine with 2mm radius edging	18mm Melamine Panel
Ottawa	White Melamine with 2mm radius edging	18mm Melamine Panel
Panama	Oyster Melamine with 2mm radius edging	18mm Melamine Panel
Sahara	Cashmere Melamine with 2mm radius edging	18mm Melamine Panel

**PRICE GROUP 2**

Charing	Urban Oak Melamine with 2mm radius edging	18mm Melamine Panel
Chester	Beech Melamine with 2mm radius edging	18mm Melamine Panels
Epsom	Aged Oak effect with 2mm radius edging	18mm Melamine Panels
Europa	Maple Melamine with 2mm radius edging	18mm Melamine Panels
Kempton	Walnut Melamine with 2mm radius edging	18mm Melamine Panels
Sandown	Sawn Oak effect with 2mm radius edging	18mm Melamine Panels
York	Kristal Oak Melamine with 2mm radius edging	18mm Melamine Panels

**PRICE GROUP 3**

Ancona	Maple foil membrane pressed shaker style door	18mm Melamine Panels
Cordoba	Oyster foil membrane pressed grooved panel	18mm Melamine Panels
Sofia	White foil membrane pressed grooved panel	18mm Melamine Panels
Windsor	Oyster foil membrane pressed grooved panel	18mm Melamine Panels

**PRICE GROUP 4**

Ascot	White gloss foil membrane pressed	18mm Gloss Panels
Gala	Oyster embossed 5 piece foil door	18mm Foil Panels
Genoa	White and Oyster high gloss foil membrane pressed	18mm Gloss Panels
Haydock	Kristal Oak 5 piece foil wrapped door	18mm Foil Panels
Lingfield	Oyster 5 piece foil wrapped door	18mm Melamine Panels
Salisbury	Oyster gloss foil membrane pressed	18mm Gloss Panels

**PRICE GROUP 5**

Gala	Colours painted embossed 5 piece foil door	18mm Painted Panels
Nova	White and Oyster painted gloss on MDF	19mm Gloss Panels